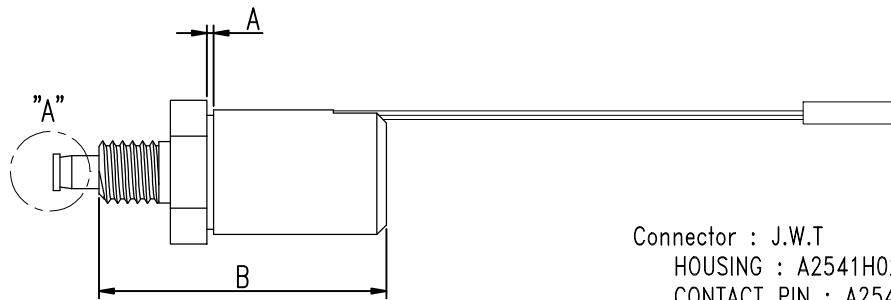
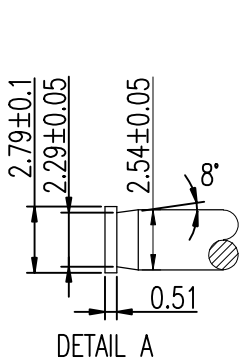


SOLENOID PRODUCT SPECIFICATION

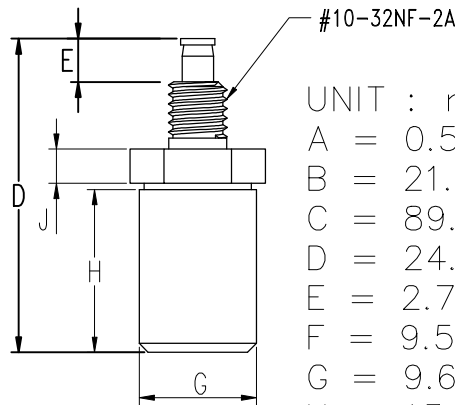
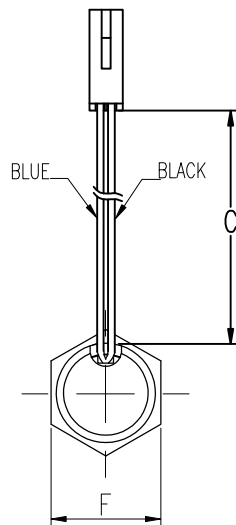
PART No.	VOLTAGE	DUTY CYCLE	POWER (W)	CURRENT (A)	DCR (Ω) *
DSTL-0216-24	24	100%	1.1	0.05	480
DSTL-0216-18	18	100%	1.1	0.06	285
DSTL-0216-12	12	100%	1.1	0.08	144
DSTL-0216-09	9	100%	1.1	0.12	76
DSTL-0216-05	5.4	100%	1.1	0.2	27

* DCR VALUES ARE ±10% AT 25°C

1. MECHANICAL DIMENSIONS :

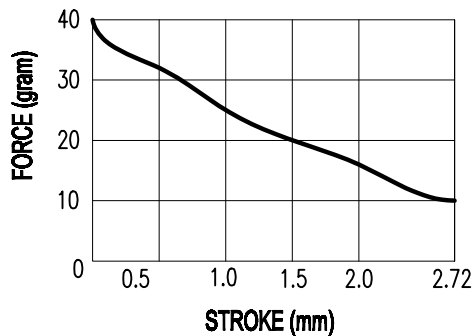


Connector : J.W.T
 HOUSING : A2541H02-1*2P
 CONTACT PIN : A2541T3B-0D
 CABLE : AWG 28 UL 1571



UNIT : mm.
 A = 0.50 REF.
 B = 21.84±0.18
 C = 89.00±6.33
 D = 24.54 MIN.
 E = 2.72 MIN.
 F = 9.53 REF.
 G = 9.60±0.2
 H = 13.2±0.2
 J = 2.80±0.15

PLUNGER VERTICALLY UP



INSULATION MATERIALS: UL CONSTRUCTION, CLASS B 130°C
 LIFE EXPECTANCY: 10 MILLION OPERATIONS

LAYER TEST	IR. @500 Vdc.	HI-POT
(S-F) : 2KVp. MIN.	COIL TO CASE	@50/60Hz.,2mA
TEST ONLY COIL	100 MOHM MIN.	COIL TO CASE
		1000Vac.,60s